

Posters - Space Extensions

Production Specifications



SPACE EXTENSIONS FOR HORIZONTAL POSTERS

The poster frame and permanent safety line supports on a Horizontal Poster cannot be removed or hidden by extensions and must be visible and accessible to ensure the safety of our posting crews.

Safety line supports are mounted 30" in from top left and right corners, restricting the available extension area above structures to 15'.

Image extensions are maximum 3' high and 8' wide, and are mounted directly to the frame of the structure. Multiple extensions are permitted provided that the total width of the extensions does not exceed 8' (for example: two 4' pieces). Extensions can be placed anywhere within the 15' available area, restricted by the safety line supports on the corners of each structure.

EXTENSION ALLOWANCES

AVAILABLE AREA

15' x 3'

No side or bottom extensions available.

MAX HEIGHT: 3' **MAX WIDTH:** 8'

TOTAL MAX AREA: 24 ft²

Exception:

Montreal bridge location max area: 20 ft²

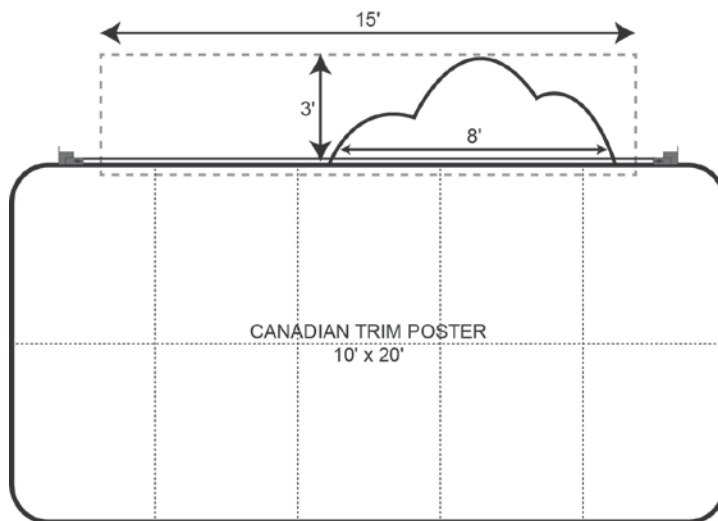
Extension size is calculated by greatest height x greatest width.

EXAMPLE: 8' W x 3' H = 24 ft²

TEMPLATES

Digital templates can assist you in preparing your artwork.

[Templates: Poster Space Extensions](#)



Posters - Space Extensions

Printing & Finishing Requirements

OUTFRONT MEDIA PRODUCTION

OUTFRONT Media owns and operates a full-service in-house production facility in Toronto, and can provide production for every one of our products. Our dedicated staff of outdoor and production experts are committed to producing your outdoor right, on budget, and on time. Please contact us for a production estimate for your next project!

OUTFRONT Media Canada
377 Horner Avenue
Toronto, Ontario M8W 1Z6

(416) 255-1392
1-800-565-1392

production@OUTFRONTmedia.ca

PRODUCTION

Digital printing

SUBSTRATE

Supply space extensions on same substrate as primary face (81 lb. Coated Outdoor Opaque Wet Strength Blue Back Poster stock or 3-5 mm self adhesive vinyl). Confirm application and required substrate with OUTFRONT Media prior to production. Vinyl must pass California Fire Marshall Flammability Test (check with your supplier).

FINISHING

Leave 4" bleed on each side of extension for trimming.

FABRICATION

Space extensions must be fabricated by OUTFRONT Media.

INK CHARACTERISTICS

Standard digital print outdoor inks. UV inks on paper stock are not acceptable, but can be used on vinyl. Inks should contain UV inhibitors to prevent fading.

SHIPPING

Ship extensions with primary face. Faces to be folded and boxed.

Clearly mark advertiser name, design name, first posting date and OUTFRONT Media contract number on exterior of each box.

U.S. Printing Suppliers Please Note:

You must have your own customs broker to process payment of any applicable duties or taxes on your shipment, **Note:** Your customer is the importer of the material and not OUTFRONT Media, OUTFRONT Media will not process or facilitate any brokerage, duty or taxes on your behalf.